

Cooker hob Milanello Copper 5F

Gas hobs

Code: 7682 008



DETAILS

Coloring Copper

Edge/Installation Type Flush-mount | Top-mount

Finish PVD

Material AISI 304 stainless steel

Texture Brushed in line

Supply 220 - 240 V; 50/60 Hz

Dimensions 803x513 mm

Base size 80 cm

Heating element Five burners

Built-in hole

[View technical data sheet](#)

Grids

Cast iron grids and enamelled burner covers

Width

80 cm

Total power

10.250 W

Auxiliary

1.000 W

Semirapid

3x1.750 W

Double crown

4.000 W

Safety

Safety valve with quick-acting thermocouple

Ignition

Electric ignition under knob

Gas type

Tested for installation with natural gas, LPG nozzle set included.

Type

Gas Hob

FEATURES

Copper

The Copper finish is obtained by treating steel with a physical process called PVD (Physical Vacuum Deposition) which deposits particles of noble metals on the surface. The result is a unique and refined aesthetic effect, and an improvement of the mechanical properties of the steel which is more resistant to impact and scratches.

Cast iron grids

Cast-iron is the ideal material for an hob grid, this due to the manifold properties characterising it: high heat capacity that improves cooking performance; high weight and stability that improve safety; sturdiness that preserves the hob's original aspect over time; easy cleaning.

Precise Power

Flat burners with PrecisePower system: great control in flame-settings. Maximum precision in regulating the flame, thanks to the 10 pre-set levels of the PrecisePower system. And as a benefit, the nice and ultra-low look of the new Flat burners.

Safe cooking

All Foster cooker hobs are equipped with safety valves. They shut off the gas supply very quickly if the flame accidentally goes out.

Special burners

Many Foster hobs are equipped with special burners, with two or three rings of fire that greatly increase the power delivered and the heated surface. In the DUAL models the two fire crowns also have independent ignition, making these burners perfect for both intensive and delicate cooking.

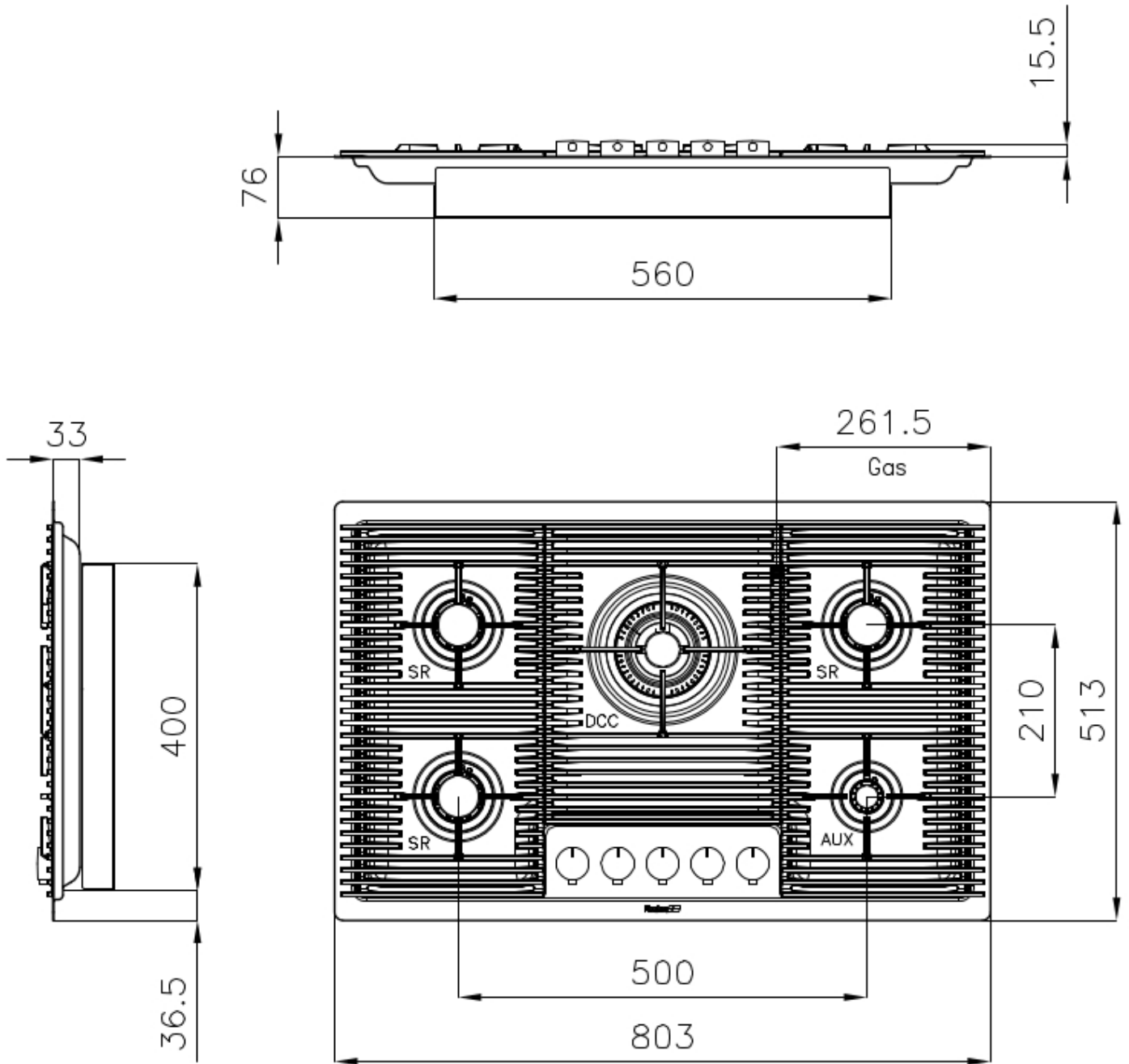
Ultra-flat hob

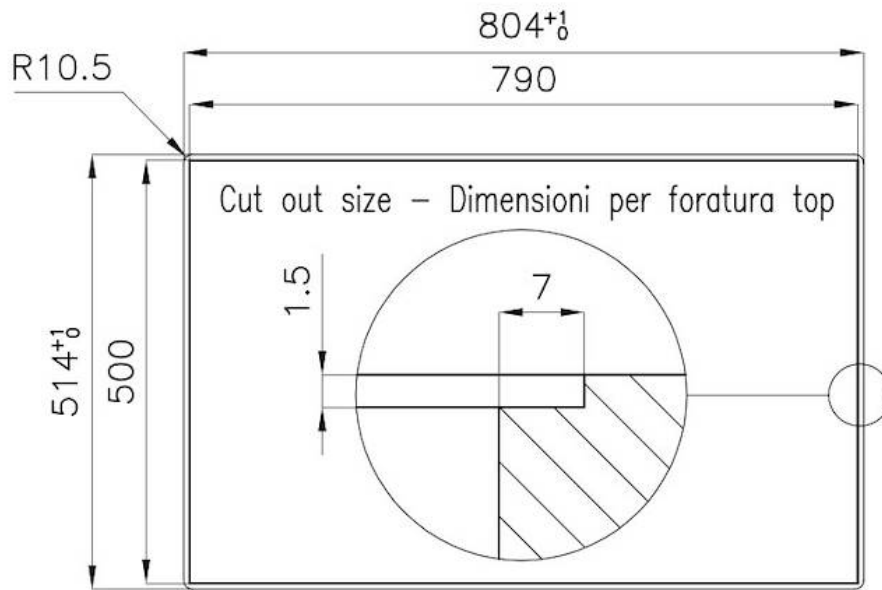
Design meets functionality in the the ultra-flat models. Elegant grids that form a generously sized overall surface.

Under-knob ignition

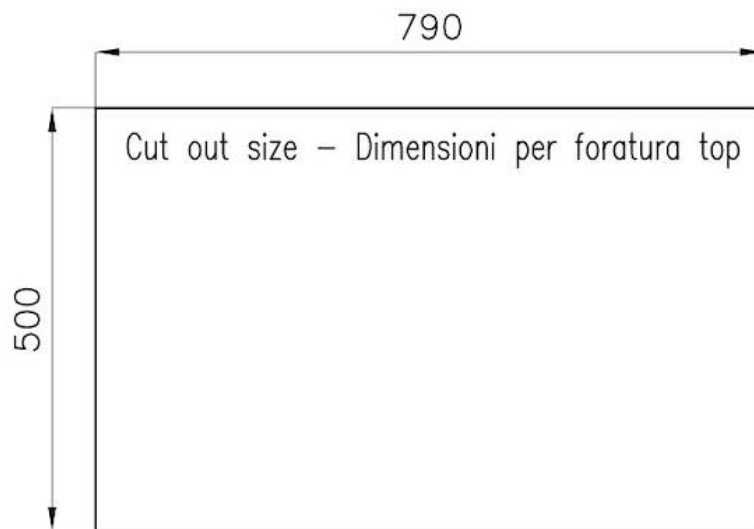
The utmost freedom of movement with electronic under-knob ignition, a common feature of all models that allows a one-hand ignition of the burner.

TECHNICAL DATA





FT



FTS

OPTIONAL ACCESSORIES



Cast iron wok support
9601 727

RECOMMENDED PAIRINGS



Sink Milanello Copper workstation
1034 058



Sink Milanello Copper Workstation
1034 858